

Needle Grippers

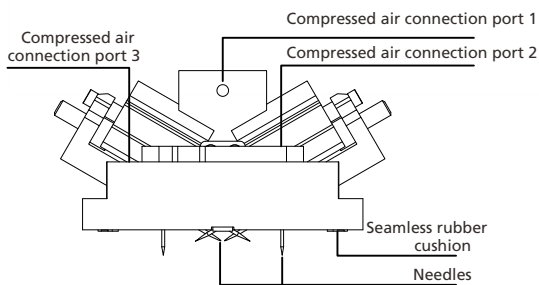
Needle Grippers MNG-BV

NO. of needles: 10

Needle Grippers MNG-BV



System design Needle Grippers MNG-V



Introduction and application

- ◆ Needle gripper for handling non-rigid and highly porous materials (primarily textiles)
- ◆ Handling materials that are difficult to grip using vacuum such as composite textiles, fleece, filter materials, insulation and foam materials etc.

Design

- ◆ Robust aluminum housing
- ◆ Compressed air connection port 1 controls cylinder drive diameter 1.2mm steel needle, insertion angle 30°
- ◆ The compressed air connection port 2 controls the 0.8 mm needle for positioning.
- ◆ Compressed air connection interface 3 passes into compressed air to realize mark-free enhanced adsorption

Ordering Guide Needle Grippers MNG-BV

Type	NO. of needles	Needle diameter[mm]	Add. function	Variable stroke [mm]	Ordering Data
MNG-BV	10	1.2	B Non-marking adsorption V needles stroke adjustable	7	90.03.01.00048

Combined Suction Cups

Vacuum Suction Cups

Composite Suction Cups

Special Grippers

Vacuum Gripping Systems

Mounting Elements

Vacuum Generators

Valve Technology

Switch And Monitoring

Vacuum Filters

Needle Grippers

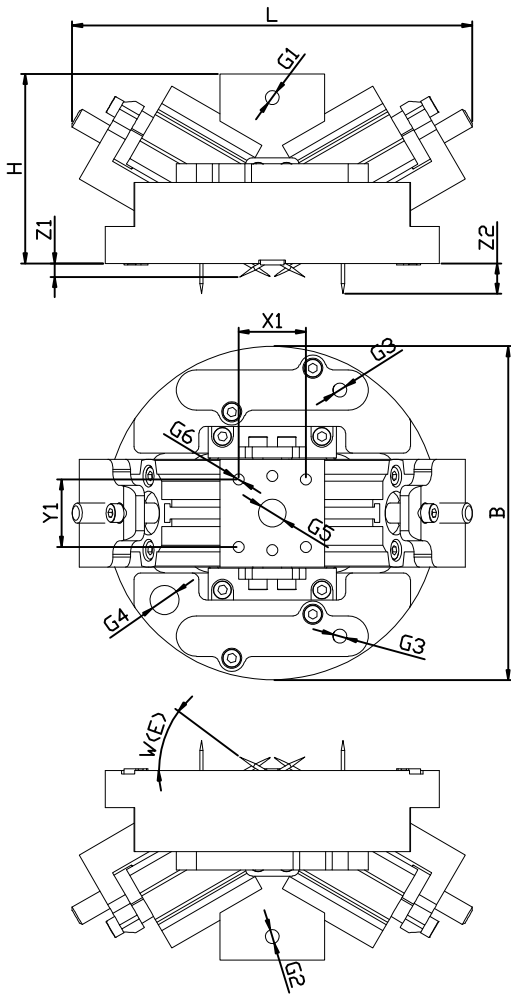
Needle Grippers MNG-BV

NO. of needles: 10



Technical Data Needle Grippers MNG-BV

MNG-BV



Type	Dimensions[mm]													
	B	G1	G2	G3	G4	G5	G6	H	L	W(E)	X1	Y1	Z1	Z2
MNG-BV	100	M5-F	M5-F	M5-F	G1/8-F	G1/8-F	M4-F	56	149	30	20	20	7	9

Combined Suction Cups

Vacuum Suction Cups

Composite Suction Cups

Special Grippers

Vacuum Gripping Systems

Mounting Elements

Vacuum Generators

Valve Technology

Switch And Monitoring

Vacuum Filters